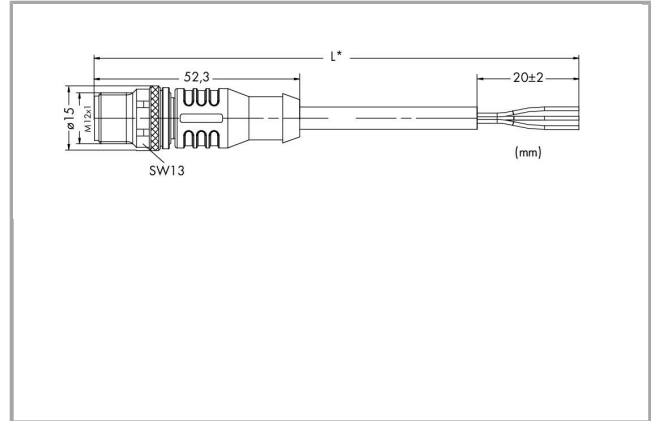


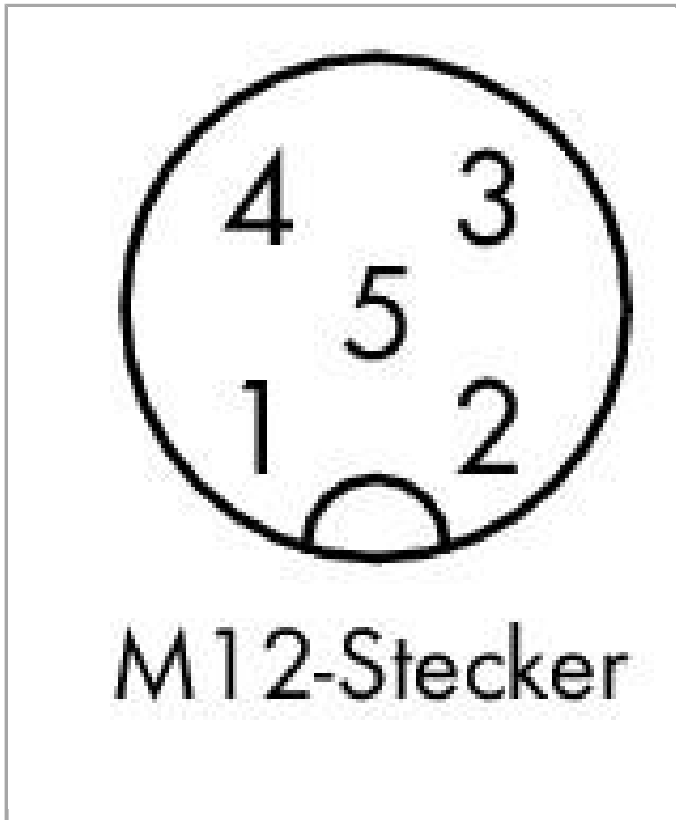
Data sheet | Item number: 756-5311/050-100

Sensor/actuator cable; fitted on one end (with free end); 5-pole; M12 plug, straight; one free cable end; 10 m



756-5311/050-100





Pin 1 ... 5: 0,34 mm ²	
1	braun (+)
2	weiß (Ö)
3	blau (-)
4	schwarz (S)
5	grau
Schirm	

Item description

Short description:

- PUR, halogen-free
- Suitable for drag chains
- Good resistance to microbes, hydrolysis, oil, chemicals and UV radiation.
- Good chemical resistance.
- Cable used: UL listed

Data

Technical Data

Connection type	M12 plug - free end
No. of poles	5
Leitungsanschlussrichtung zur Steckrichtung	0°
Steckgesichtskodierung Leitung/Adapter 1 1	A coded
Cable length	10 m
Operating voltage	AC/DC 250 V
Operating current	4 A
Rated surge voltage	1,5 kV



Mechanical data

Bending cycles	2 Mio.
Schleppkettentauglichkeit	yes
Color of sheathed cable	black
Durchmesser der Mantelleitung	4.8 ... 5.2 mm
Sheath material	Polyurethane (OPUR), halogen-free per DIN VDE 0472 Part 815, flame resistant per IEC 332-2, self-extinguishing
Halogen-free	Yes
Housing material	Polyurethan (PUR)
Contact material	CuSn
Contact plating	CuNi/Au
Tightening torque	1 Nm
Weight	370 g

Environmental Requirements

Umgebungstemperatur (Betrieb) bewegt	-25 ... +90 °C
Umgebungstemperatur (Betrieb) ruhend	-50 ... +90 °C
Protection class	IP67
Degree of pollution (5)	3 acc. to VDE 0110

Commercial data

Country of origin	HU
GTIN	4045454942151
Customs Tariff No.	85444290900

Downloads

Documentation

System Description

IP67 Cables and Pluggable Connectors	pdf 293.9 kB	Download
--------------------------------------	-----------------	----------

Subject to changes.